

## Leaf Wetness Sensor

FOR THE VANTAGE PRO WIRELESS LEAF & SOIL MOISTURE/TEMPERATURE STATION

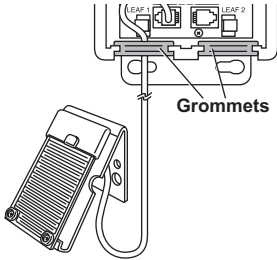
### ADDENDUM

Use this Addendum in conjunction with the “Leaf Wetness Sensor Standard and Industrial Installation Manual” (#7846 and #7848).

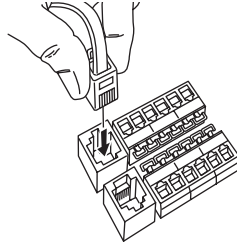
- The leaf wetness sensor (#6420) connects to the Wireless Leaf & Soil Moisture/Temperature Station (#6343).
- Please refer to the “Leaf & Soil Moisture/Temperature Station Installation Manual” for instructions on how to test and use the leaf wetness sensor.

### Connecting Leaf Wetness Sensors

1. Run the sensor cables up through the grommets on the bottom of the station housing.
2. Insert the sensor cable modular plug into the Leaf 1 or Leaf 2 modular connector.



*Leaf Wetness Sensor Cables Run Through Grommets*

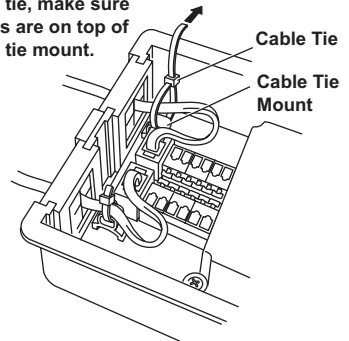


*Connecting Leaf Wetness Sensors*

### Finishing the Sensor Connections

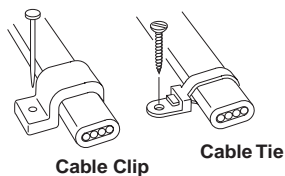
1. Secure sensor cables to the cable tie mounts located next to the grommets.

When tightening cable tie, make sure cables are on top of cable tie mount.



*Securing Sensor Cables in the Station*

- 
2. To prevent fraying or cutting of cables, secure them so they will not whip about in the wind. Secure a cable to a metal pole by wrapping electrical tape around them both. Make sure cables are secure by placing clips or ties approximately every 3 - 5' (1 - 1.6 m)



Securing Cables with Clips and Ties

---

**Note:** *Do not use metal staples or a staple gun to secure cables. Metal staples — especially when installed with a staple gun — have a tendency to cut the cables.*

---

## Contacting Davis Technical Support

If you have questions about your leaf wetness sensor, or encounter problems installing or operating the station, please contact Davis Technical Support.

---

**Note:** *Please do not return items to the factory for repair without prior authorization.*

---

(510) 732-7814 – Monday – Friday, 7:00 a.m. – 5:30 p.m. Pacific Time.

[support@davisnet.com](mailto:support@davisnet.com) – E-mail to Technical Support.

(510) 732-9229 – For callers outside the USA or Canada.

(510) 670-0589 – Fax.

[www.davisnet.com](http://www.davisnet.com) – Copies of User Manuals are available on the “Support” page. Watch for FAQs and other updates. Subscribe to the e-newsletter.

[info@davisnet.com](mailto:info@davisnet.com) – General e-mail.

---

Product Number: 6420  
Davis Instruments Part Number: 7395.110A  
Leaf Wetness Sensor  
Rev A Manual (8 May 2002)

This product complies with the essential protection requirements of the EC EMC Directive 89/336/EC. The term "IC:" before the radio certification number only signifies that Industry of Canada technical specifications were met.

Copyright © 2002 Davis Instruments Corp. All rights reserved.

**DAVIS**   
**Davis Instruments**

3465 Diablo Avenue, Hayward, CA 94545-2778

510-732-9229 • Fax: 510-732-9188

E-mail: [info@davisnet.com](mailto:info@davisnet.com) • [www.davisnet.com](http://www.davisnet.com)